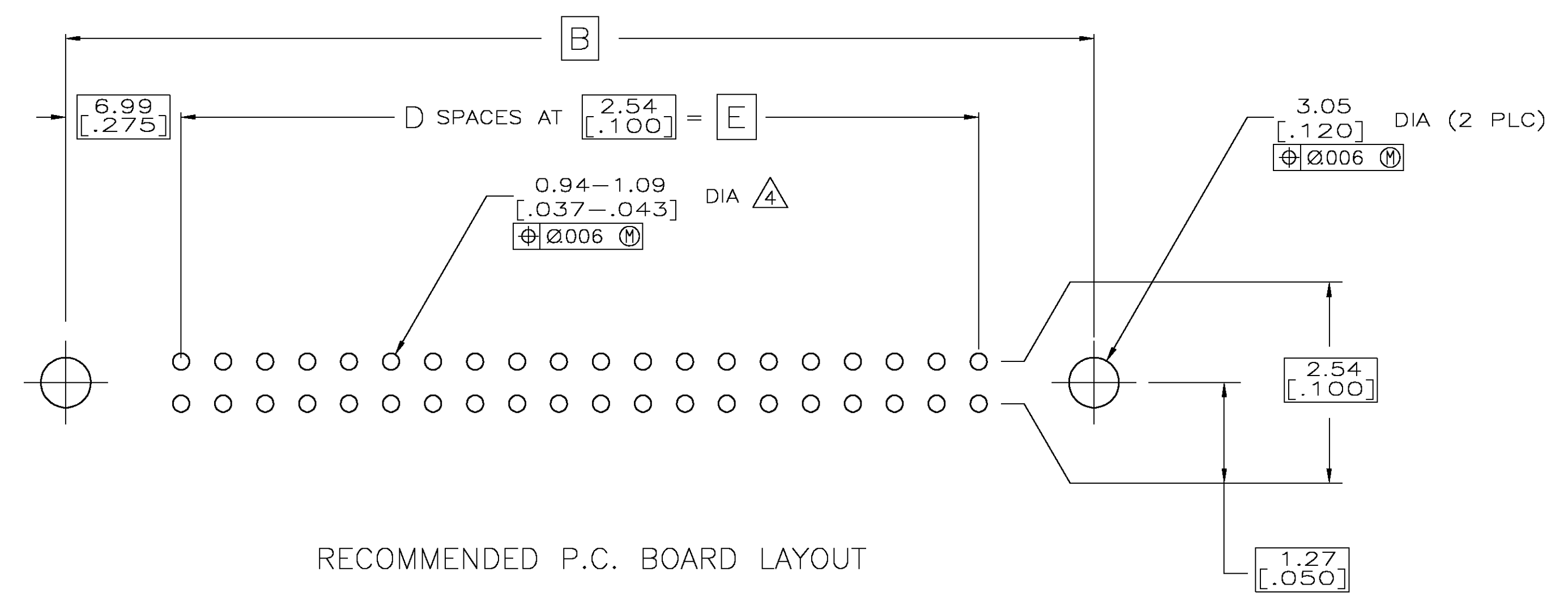
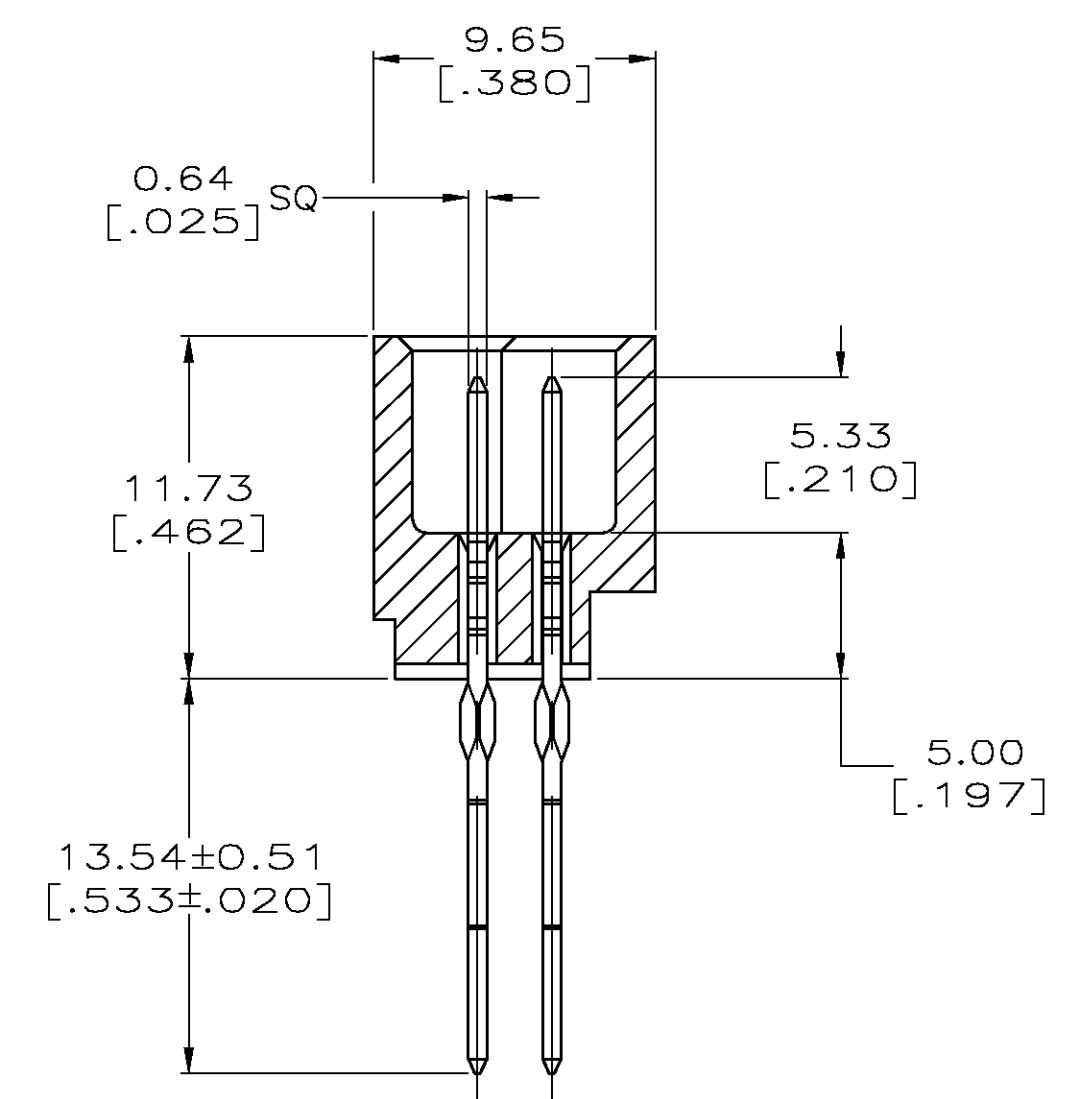
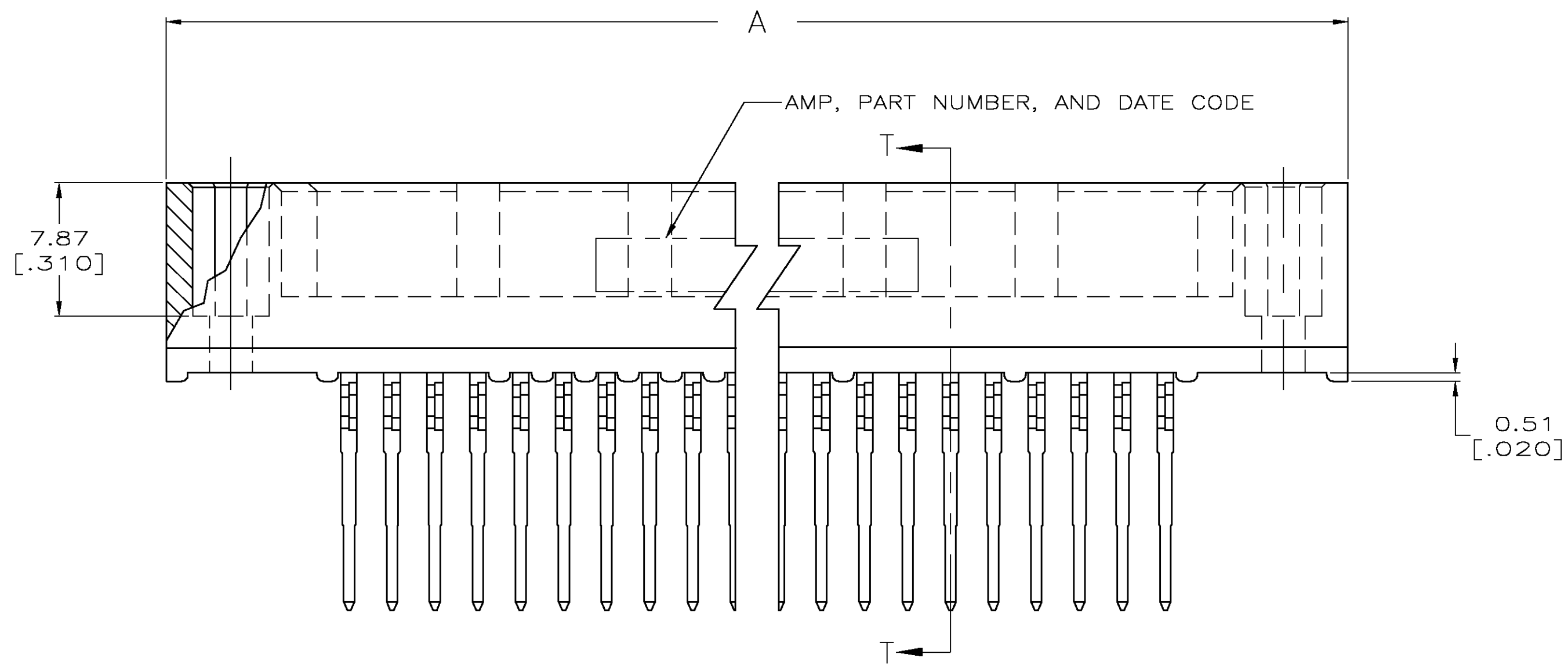


- ① HOUSING MATERIAL: THERMOPLASTIC, COLOR-NATURAL.
- ② CONTACT MATERIAL: PHOSPHOR BRONZE.
- ③ CONTACT FINISH: .00127-.00254 [.000050-.000100] NICKEL UNDERPLATE ALL OVER; .00076 [.000030] GOLD PLATE IN CONTACT AREA, TIN PLATED POSTS.
- ④ ACTION PIN POSTS REQUIRE 2.36 [.093] MIN THICK P.C. BOARD. RECOMMENDED P.C. BOARD HOLES ARE 1.151 [.0453] DIA PLATED THRU WITH 0.025-0.076 [.001-.003] COPPER, WITH 0.0076 [.0003] MIN TIN-LEAD PLATING; FINISHED HOLE AFTER PLATING 0.94-1.09 [.037-.043] DIA.



200.66 [7.900]	79	204.47 [8.050]	214.63 [8.450]	222.25 [8.750]	160	1-5533060-6
124.46 [4.900]	49	128.27 [5.050]	138.43 [5.450]	146.05 [5.750]	100	5533060-9
60.96 [2.400]	24	64.77 [2.550]	74.93 [2.950]	82.55 [3.250]	50	5533060-4
E	D	C	B	A	POSN	PART NUMBER

THIS DRAWING IS A CONTROLLED DOCUMENT.

DIMENSIONS:	TOLERANCES UNLESS OTHERWISE SPECIFIED:	DRN	J. POLIGNONE	11MAY05	tyco	Tyco Electronics Corporation
mm [INCHES]		CHK	A. SHARPE	11MAY05	Electronics	Harrisburg, Pa 17105-3608
		APVD	A. SHARPE	11MAY05	NAME	ASSEMBLY, PIN, VERTICAL, HDI, LEAD-FREE, 2 ROW WITHOUT GUIDE PINS, 13.54[.533] LONG ACTION PINS, .00076 [.000030] GOLD PLATE
					APPLICATION SPEC	
					WEIGHT	
					SIZE	A1
					CAGE CODE	00779
					DRAWING NO	C=5533060
					RESTRICTED TO	
					CUSTOMER DRAWING	
					SCALE	4:1
					SHEET	1 of 1
					REV	0